

MODULAR SURGE PROTECTION DEVICE

SP PLUS SERIES

AC Surge Protection

The SP Plus provides all mode system protection and integrity for critical applications. A compact design listed to UL 1449 4th Edition with robust surge capacity for long life and easy installation makes this unit ideal for all your surge protection requirements.



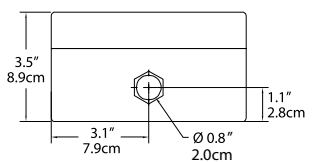
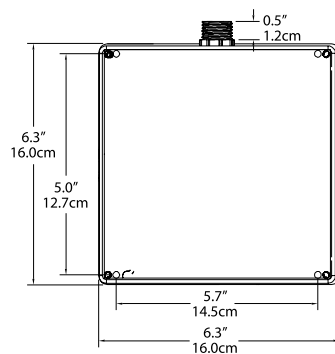
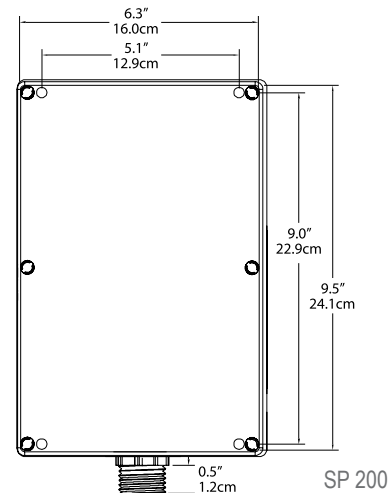
SP Plus Series

FEATURES

- **Thermally Protected MOV** - allows maximum surge capacity, repetitive capability, and performance while maintaining safety requirements
- **Linear Sharing** - reduces stress to extend product life
- **Indicator Lights per Phase** - visual indication for protection integrity
- **Dry Contacts** - Form C contacts for remote monitoring (NO & NC)
- **Audible Alarm** - with failure indication
- **All Mode Protection** - L-N, L-G, N-G & L-L
- **Warranty** - 10 year

STANDARDS

- UL 1449 4th Edition, Listed
- NEC Article 100/285
- IEEE



SP 100

SPECIFICATIONS

SP Plus	SP 50	SP 100	SP 200
Performance			
Connection	Parallel	Parallel	Parallel
Nominal Operating Voltage	120 - 480 Vac	120 - 480 Vac	120 - 480 Vac
Operating Frequency	50 / 60 Hz	47 - 63 Hz	47 - 63 Hz
Surge Capacity per Mode	50 kA	50 kA	100 kA
Surge Capacity per Phase	50 kA	100 kA	200 kA
Maximum Surge Current Dissipation per Phase	50 kA	100 kA	200 kA
IEEE Location	C-High, B-Medium	C-High, B-Medium	C-High, B-Medium
UL Location	Type 1 or Type 2	Type 1 or Type 2	Type 1 or Type 2
Fault Rating (SCCR)	200 kAIC	100 kAIC	100 kAIC
Response Time	<1 ns	<1 ns	<1 ns
Protection Provided	L-N, L-G, N-G, (Single Phase); L-L, L-N (Split Phase, Wye); L-G, L-L (Delta)	L-N, L-G, N-G, L-L (Split Phase, Wye); L-G, L-L (Delta)	L-N, L-G, N-G, L-L (Split Phase, Wye); L-G, L-L (Delta)
Certifications	UL 1449 4th Edition Listed	UL 1449 4th Edition Listed	UL 1449 4th Edition Listed
Mechanical			
Dimensions - H x W x D	4.5" x 3.6" x 2.5" 11.43 cm x 9.14 cm x 6.17 cm	6.3" x 6.3" x 3.5" 16 cm x 16 cm x 8.9 cm	9.5" x 6.3" x 3.5" 24.1 cm x 16 cm x 8.9 cm
Weight (Max) lb, kg	1.3 lbs / 0.59 kg	3 lbs / 1.4 kg	5 lbs / 2.3 kg
Lug Range	None	None	None
Lead Length	≤ 1.5' (recommended)	≤ 1.5' (recommended)	≤ 1.5' (recommended)
Wire Gauge	#12 provided	#10 provided	#10 provided
Breaker Connection	30A (recommended)	30A (recommended)	30A (recommended)
Environmental			
Humidity (noncondensing)	5% to 95%	5% to 95%	5% to 95%
Operating Temperature	-40°C to +85°C	-40°C to +85°C	-40°C to +85°C
Operating Altitude (feet)	Up to 12,000	Up to 12,000	Up to 12,000
Enclosure Type	NEMA 4x	NEMA 4 & NEMA 1 w / disable switch	NEMA 4 & NEMA 1 w / disable switch